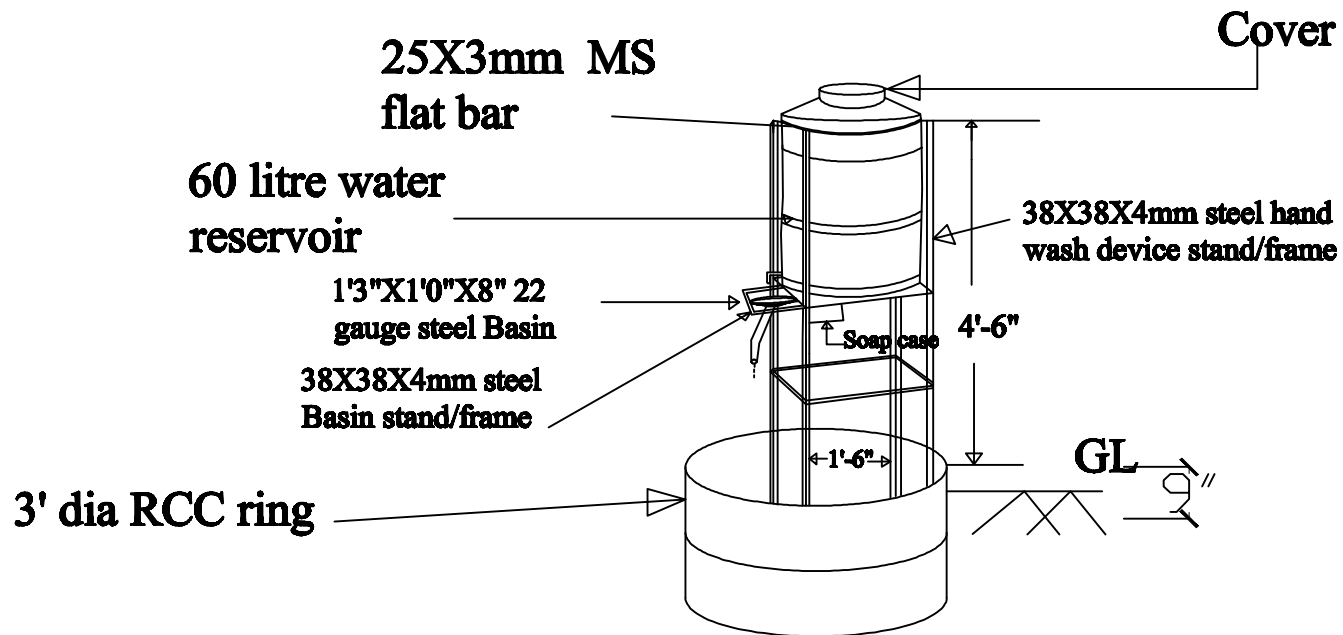


Section Of water tank
 1'-4" dia @ 60 litre



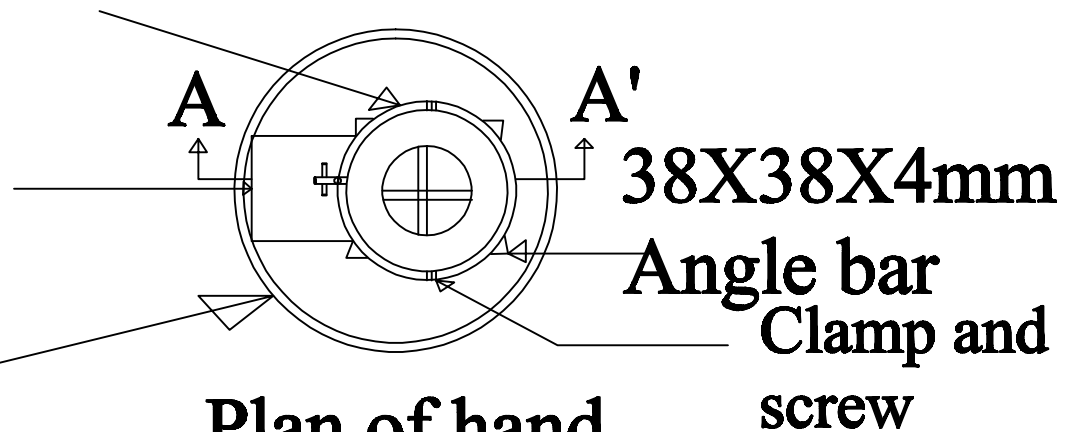
Front View

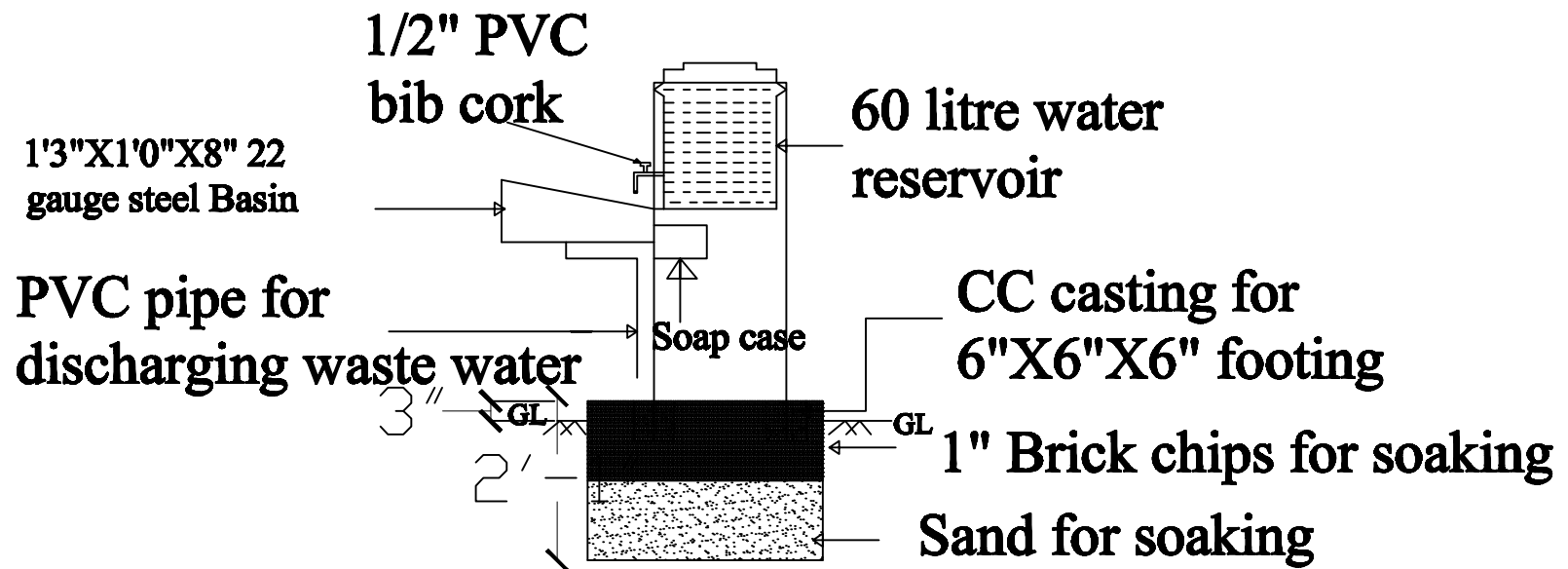
**60 litre water
reservoir**

**1'3"X1'0"X8" 22
gauge steel Basin**

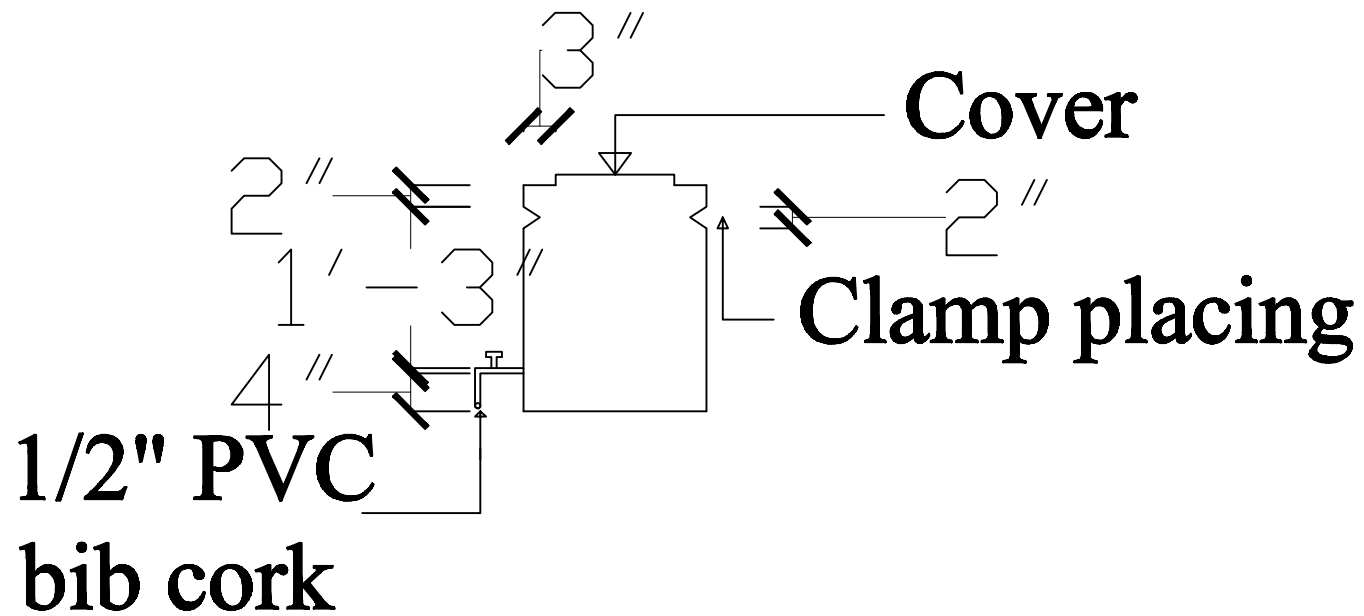
3' dia RCC ring

**Plan of hand
washing device**





A-A' Section Of hand washing device



Section of water tank
1'-4" dia @ 60 litre



BANGLADESH RED CRESCENT SOCIETY

POPULATION MOVEMENT OPERATION (PMO)

Supported by:



german
humanitarian
assistance
DEUTSCHE HUMANITÄRE HILFE

